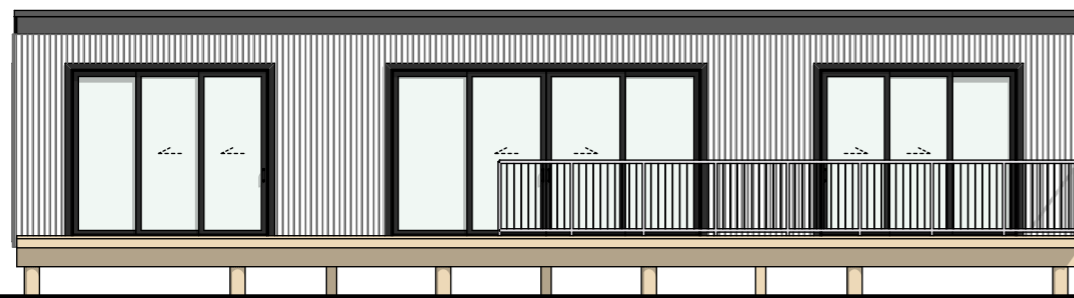
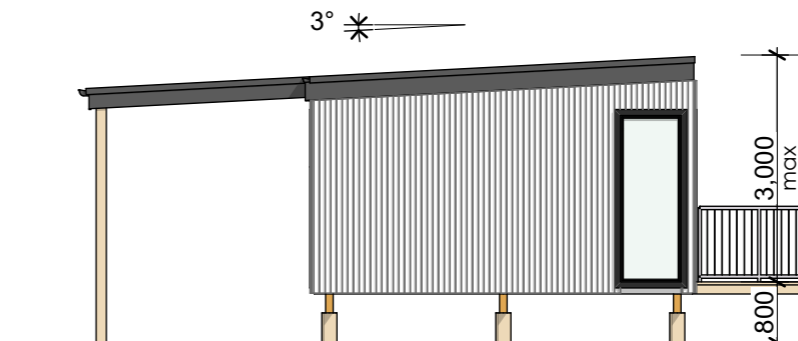


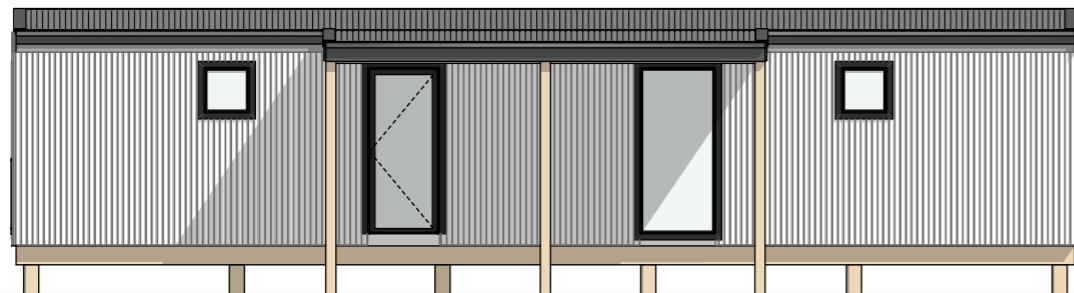
1 Floor Plan - Veranda
Scale 1:100



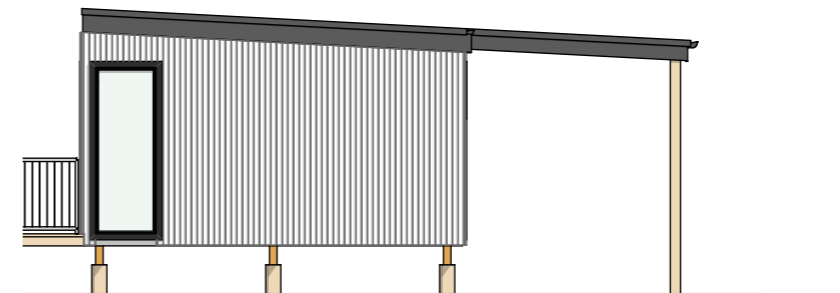
2 North Elevation - Veranda
Scale 1:100



3 East Elevation - Veranda
Scale 1:100



4 South Elevation - Veranda
Scale 1:100



5 West Elevation - Veranda
Scale 1:100

1A 8/03/2024 Marketing Issue
ID Date Transmittal Set Name



53 Collingwood St, Nelson 7010
team@redboxarchitects.co.nz
www.redboxarchitects.co.nz
03 548 8461

project ID #24-04
drawing CD03.1A
architects impression only, not to scale